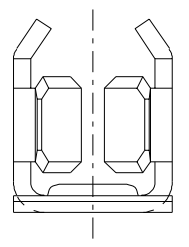
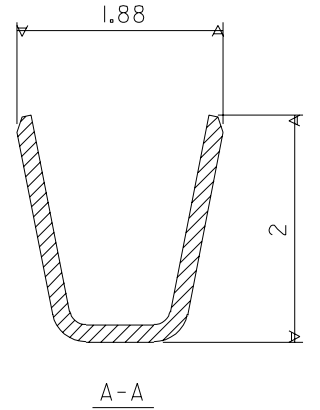
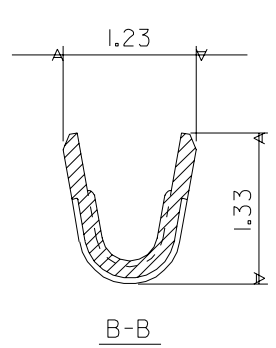
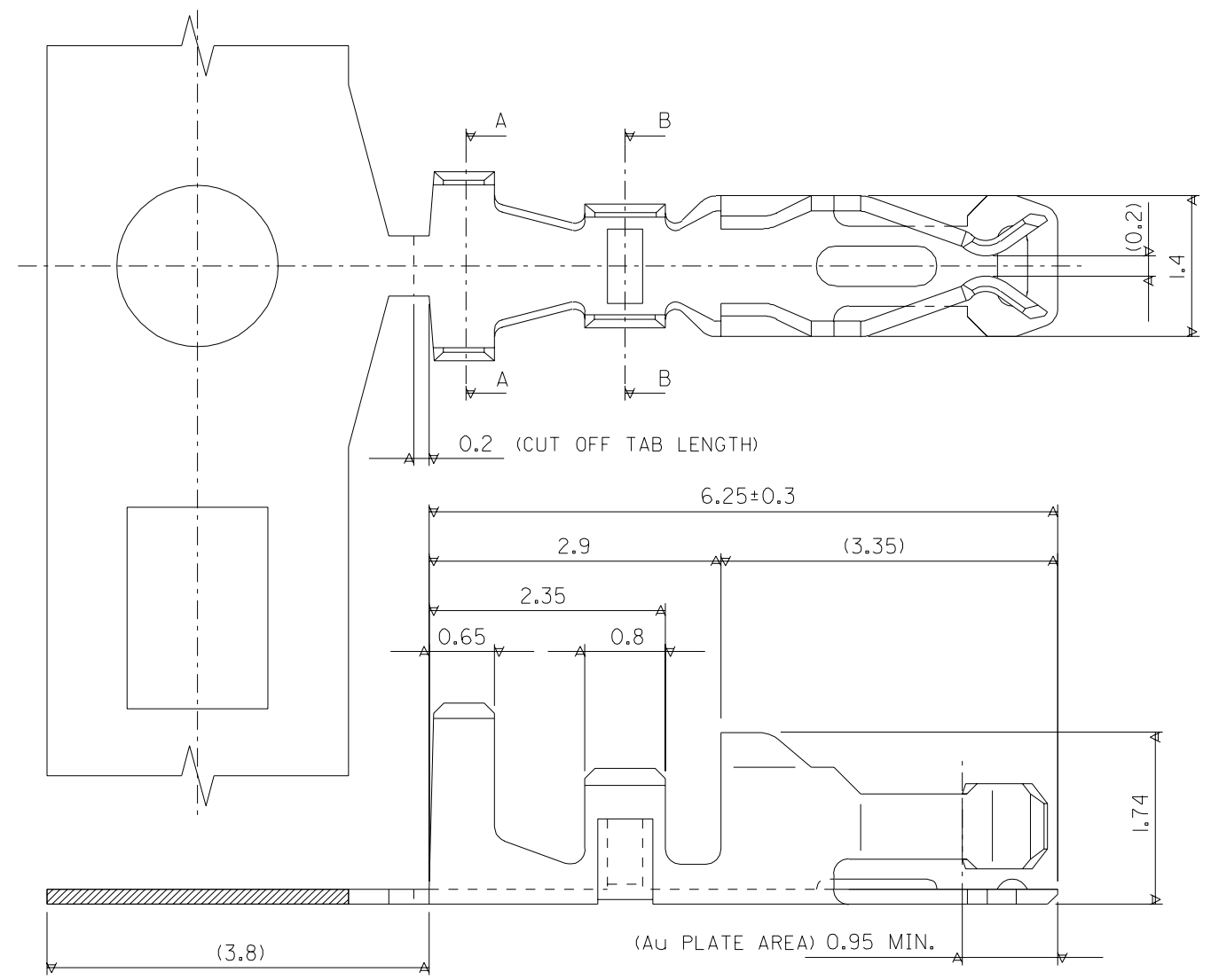


DWG. NO. SD_50394-8051
 CAD FILE S50394T1.DGN



NOTES.
 1. APPLICABLE HOUSING : 51110-***1
 : 51110-***5*

GOLD FLASH 0.05-0.125 μm	50394-8400	50394-8054
0.38 Pd/Ni w/ GOLD FLASH	50394-8300	50394-8053
0.76	50394-8200	50394-8052
0.38	50394-8100	50394-8051
Au. PLATE THICK. (μm MIN.)	FORM:LOOSE	FORM:CHAIN
ENG.No.		

B	VOID PART NO. PER ECN S2004-0719	---	ANG LING	040223	MATERIAL : PHOSPHOR BRONZE (THK=0.152)	MOLEX SINGAPORE PTE LTD SHEET 1 OF 1	
A2	ADD GOLD FLASH AS PER ECN#S2003-0030	---	NASH LING	02/07/12	FINISH : SEE NOTES		GENERAL TOLERANCES ± 0.20/.008 REV B
A1	ADD 0.38 Pd/Ni WITH GOLD FLASH AS PER PDR#98-01- 0267 (ECN#S1998-0364)	---	SEE LING	980312		DWG. NO.: SD_50394-8***	
A	REL AS PER ECN#	S40519	SO EDP	940420	DRAWN BY S.O. 940420	CHK'D BY EDPOH 940427	
LTR	REVISION RECORD	ECN	DR CHK	DATE	APPR'D BY ROY 940428	SCALE 15:1	TITLE : 2.0mm GRID W TO B CONN. CRIMP TERMINAL
REVISE ONLY ON CAD SYSTEM							

DO NOT SCALE DRAWING